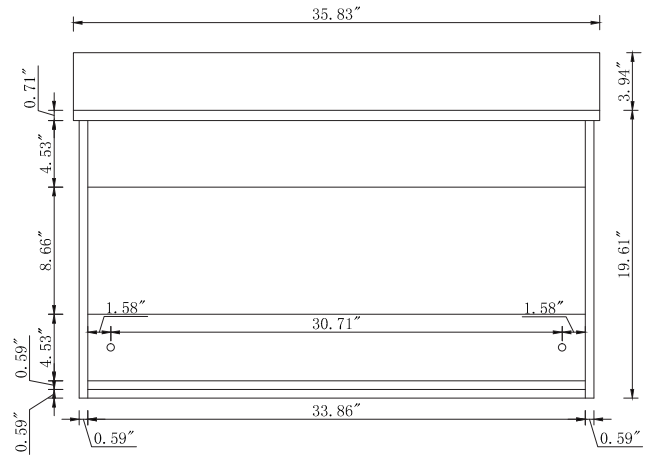
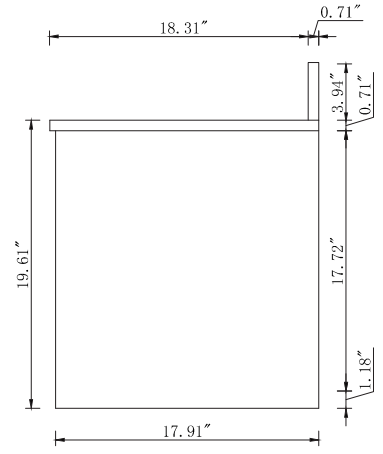


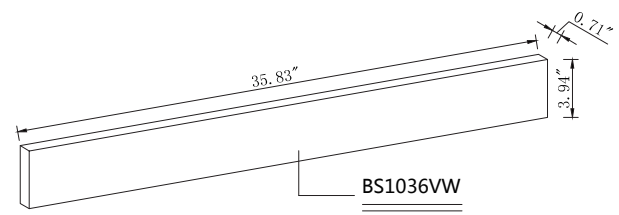
Top view



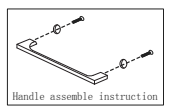
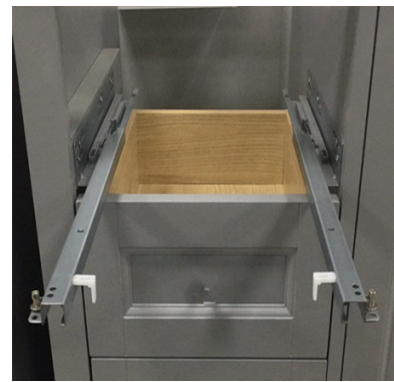
Back view



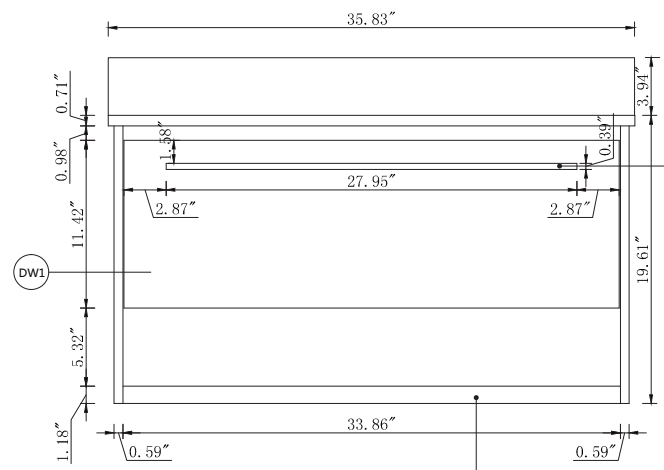
Side view



BS1036VW

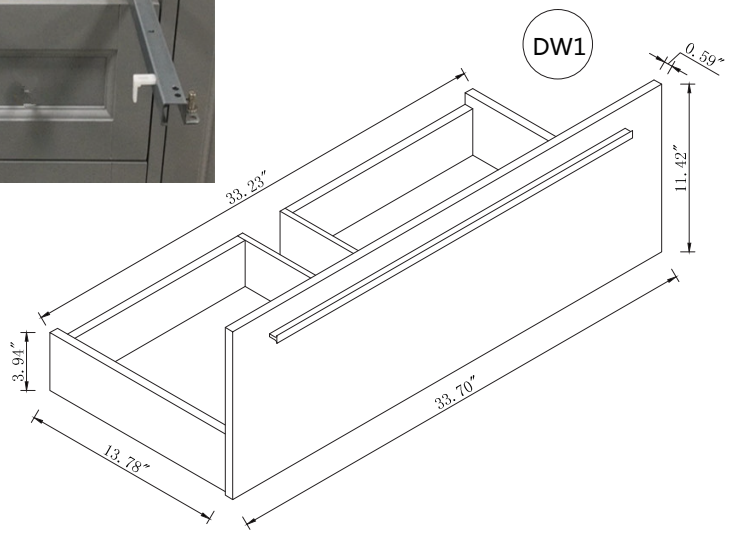


Handle assemble instruction



Front view

SHF1



Drawer Interior Size

DWG. NO.:

MODEL NO.:

VF43536MWH_BS

ALTERATIONS

1	
2	
3	
4	

FOR PROPOSAL ONLY ALL DIMENSIONS TO BE VERIFIED

SCALE:

DWG. BY:

CHECKED BY:

DATE:

PROJECT:

Qty:

Color:

DRAWING TITLE:

FINISH:

Elegant



Decor

ELEGANT LIGHTING